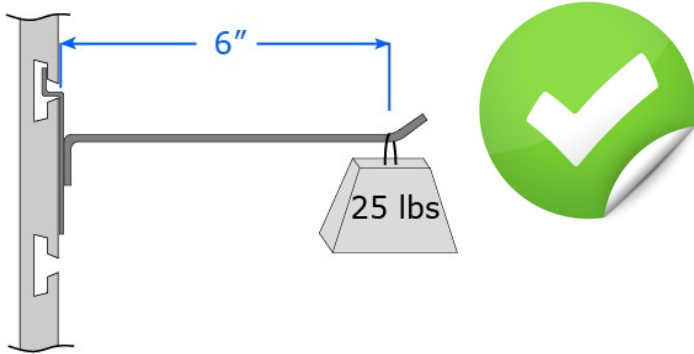


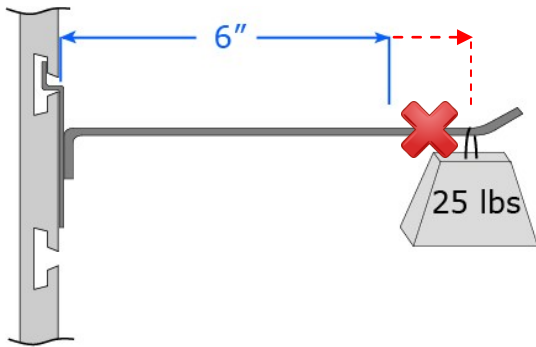
Understanding SlatWall PX™ Load Capacity

In Between Mounting Points

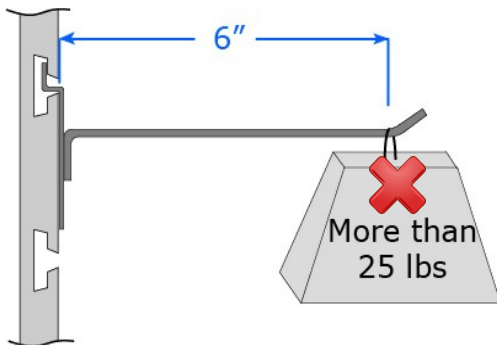


SlatWall PX™ can hold a 25 lbs point load hanging at a 6" distance from the slatwall face:

- At maximum loading, adjacent load points within the same groove must be spaced 16" apart minimum

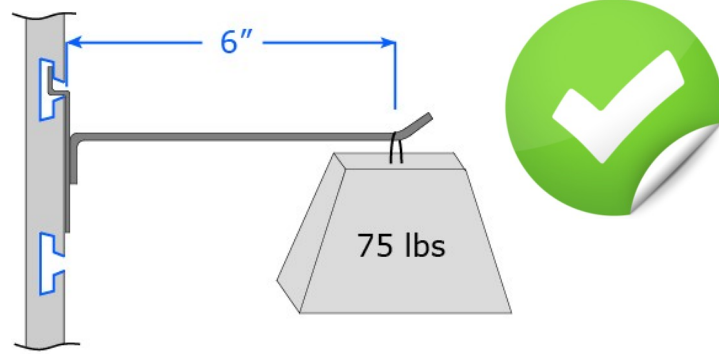


If the 25 lbs load moves further away than 6" from the slatwall face, the slatwall could break

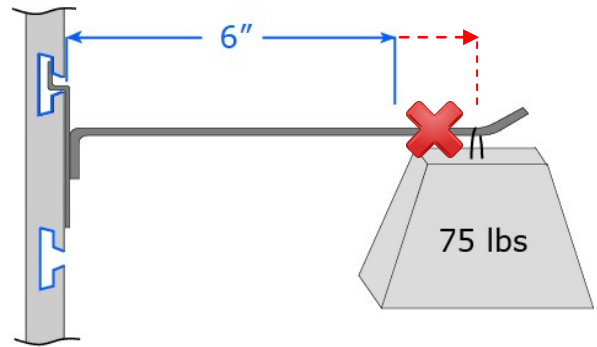


If the load increases to more than 25 lbs, the slatwall could break

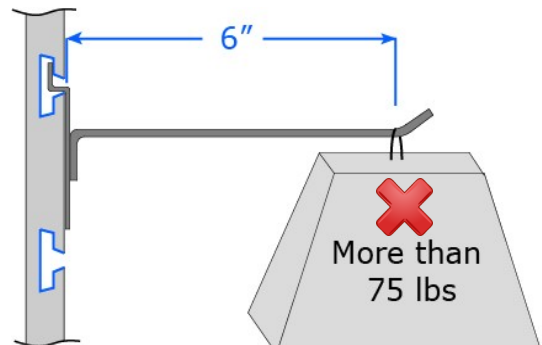
On a Mounting Point



SlatWall PX™ can hold a 75 lbs point load hanging at a 6" distance from the slatwall face:



If the 75 lbs load moves further away than 6" from the slatwall face, the slatwall could break



If the load increases to more than 75 lbs, the slatwall could break