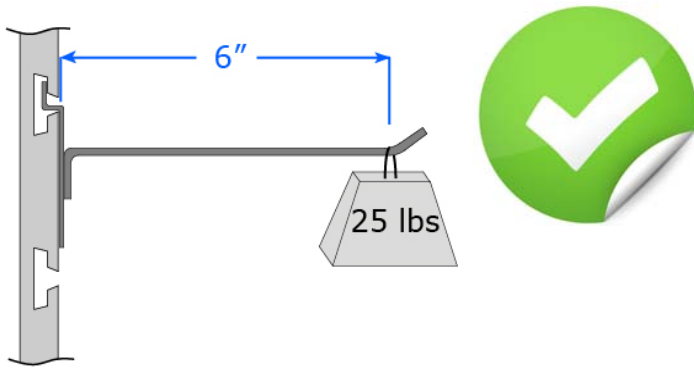


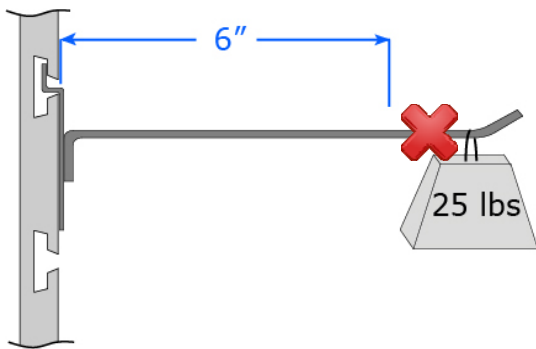
Understanding SlatWall MX™ Load Capacity

Standard Duty

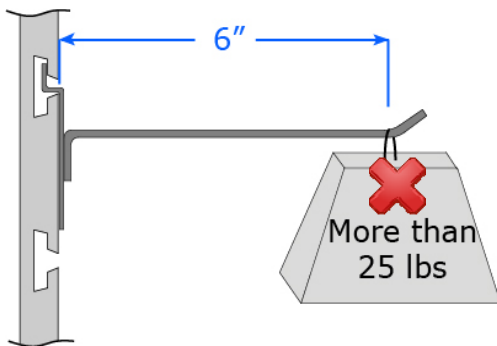


SlatWall MX™ can hold a 25 lbs point load hanging at a 6" distance from the slatwall face:

- At maximum loading, adjacent load points within the same groove must be spaced 16" apart minimum
- At maximum loading, load points must be spaced 8" minimum from the ends

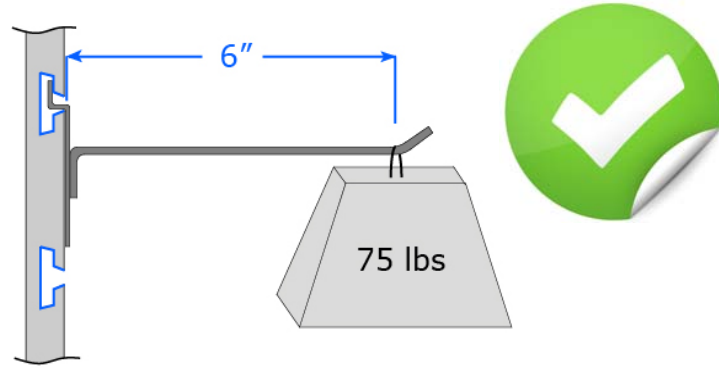


If the 25 lbs load moves further away than 6" from the slatwall face, the slatwall could break



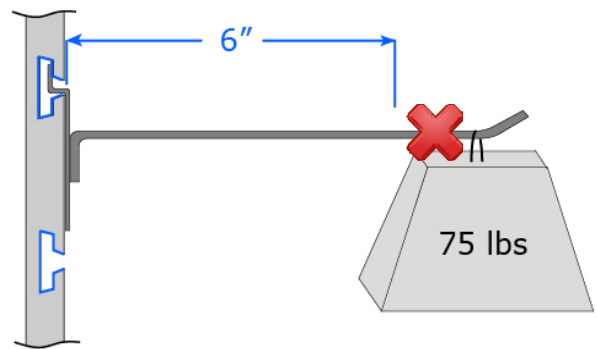
If the load increases to more than 25 lbs, the slatwall could break

Heavy Duty with Channel Reinforcements

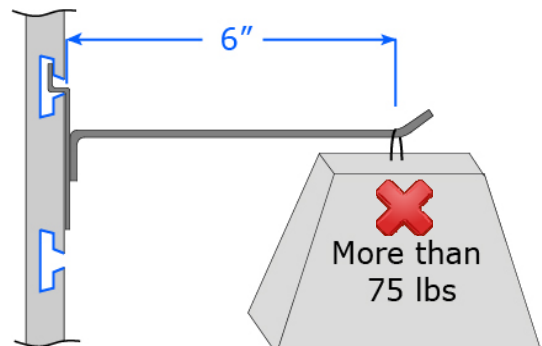


SlatWall MX™ can hold a 75 lbs point load hanging at a 6" distance from the slatwall face:

- At maximum loading, adjacent load points within the same groove must be spaced 16" apart minimum
- At maximum loading, load points must be spaced 8" minimum from the ends



If the 75 lbs load moves further away than 6" from the slatwall face, the slatwall could break



If the load increases to more than 75 lbs, the slatwall could break