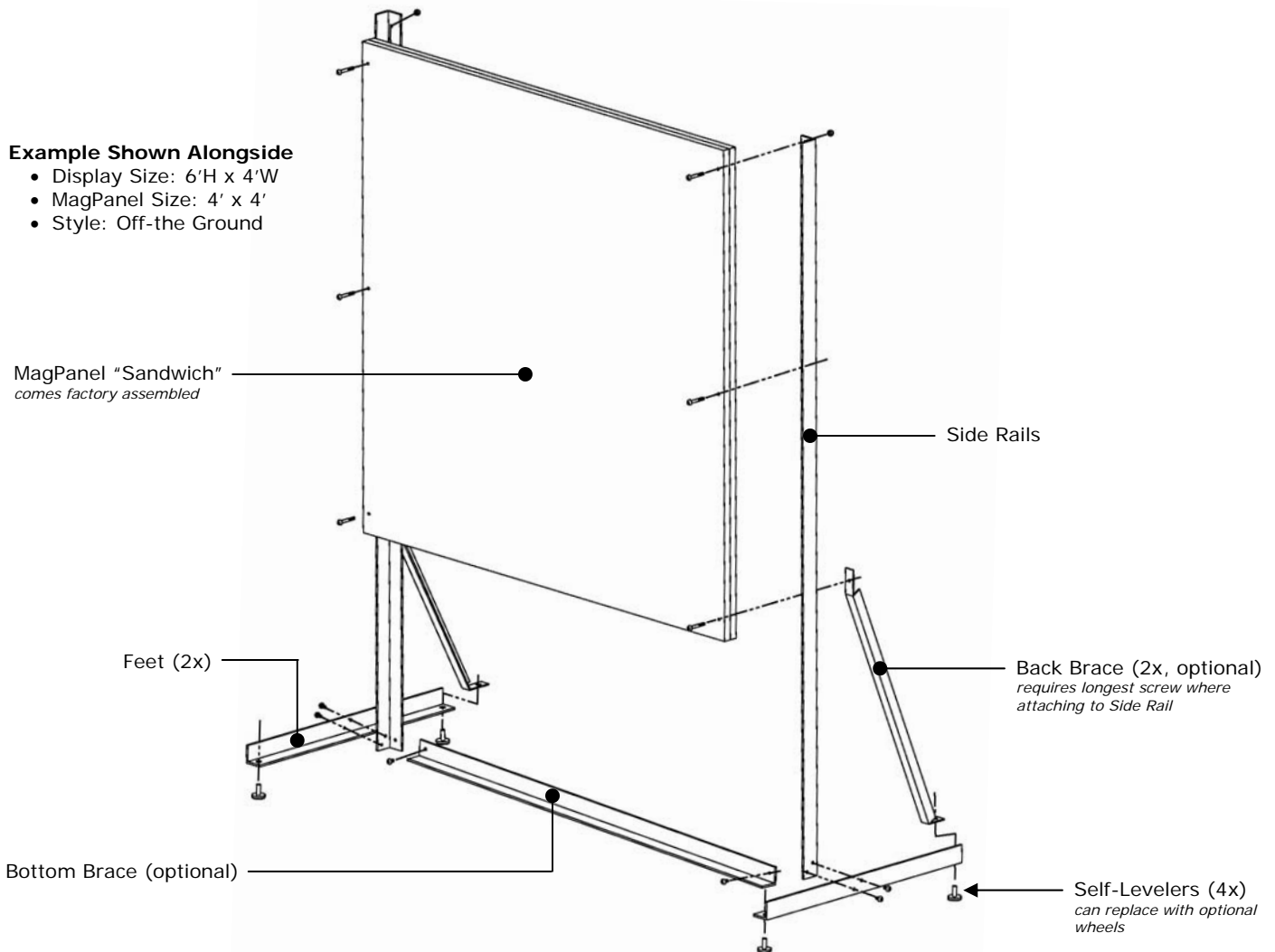


► Assembly Instructions

1. All components are marked with the specific Component Name and Display Number they belong to
2. Attach the (2) Side Rails to the MagPanel™, using Long Bolts and Acorn Nuts
3. Attach the (2) Feet to the (2) Side Rails, using Short Bolts and Acorn Nuts
4. There are many configurations of bracing which are based upon your unit's specific size, material, and weight. Your unit may have any of the braces shown below. If you need assistance, please do not hesitate to contact us per below.

Example Shown Alongside

- Display Size: 6'H x 4'W
- MagPanel Size: 4' x 4'
- Style: Off-the Ground



Helpful Hints

1. Do not over tighten the fasteners.
2. The labels marking each component are for your reference only. After unpacking and assembling the displays for the first time, you may find it necessary to move the labels or remove them altogether. Regardless, we do recommend that some marking system be used to identify each component and to identify which display it belongs to. Each FreeStanding Unit has been individually tested at the factory for fit with its corresponding numbered components.
3. Depending on your aesthetic requirements for the display, you may choose to have the head of the bolts or the acorn nuts be more visible. Either way works.
4. To clean the displays, use rubbing alcohol and a soft rag. Household cleaners may leave a cloudy residue
5. Use Scotch-Brite pads to polish away scratches on any support structure
6. Pack the components into their individual plastic bags and bubble wrap to help avoid scratching and damage during transit.

Any questions or problems, please contact us:

Gupta Permold Corporation
 Consumer Goods Division
 diamondLife™ Brand
 234 Lott Road
 Pittsburgh, PA 15235
 USA
 Ph. 412.793.3511 x103
 Fx. 412.793.1055
 Email. help@diamondlifegear.com
 Store. diamondlifegear.com

Doing a common thing uncommonly well,
 brings success.

Welcome to the diamondLife.™