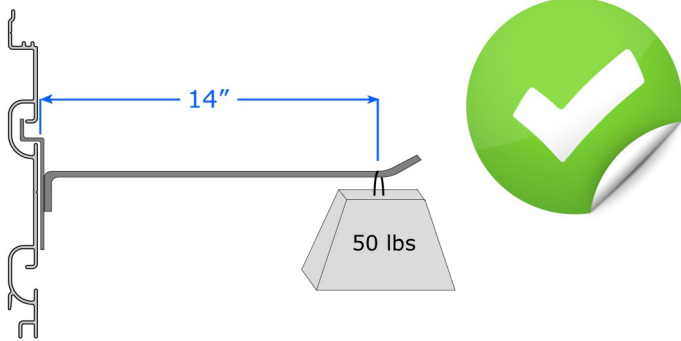


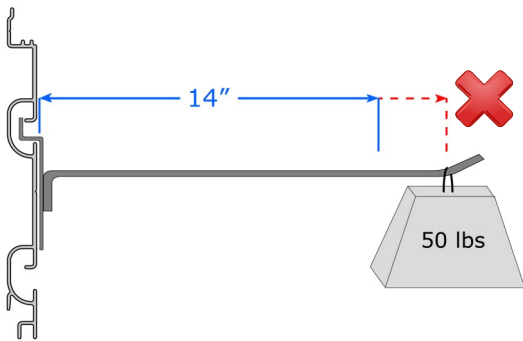
Understanding SlatWall EMX™ Load Capacity

In Between Mounting Points

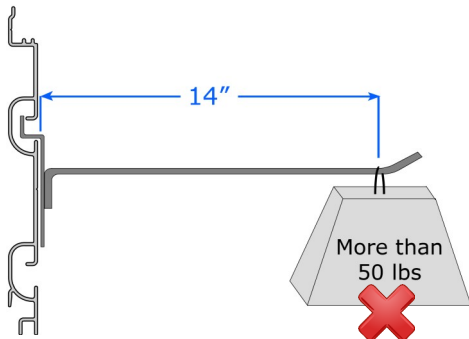


In between mounting points, SlatWall EMX™ can hold a 50 lbs point load hanging at a 14" distance from the slatwall face:

- At maximum loading, adjacent load points within the same groove must be spaced 16" apart minimum

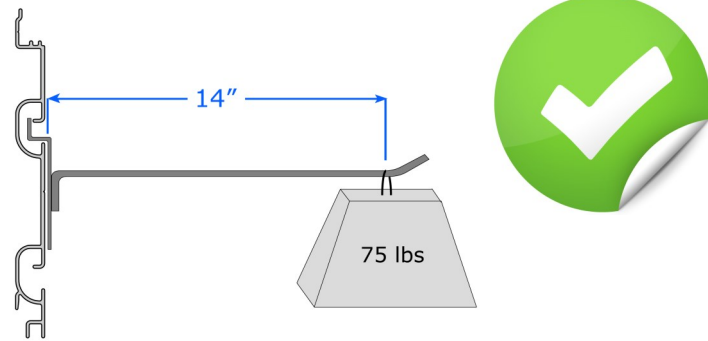


If the 50 lbs load moves further away than 14" from the slatwall face, the slatwall could break



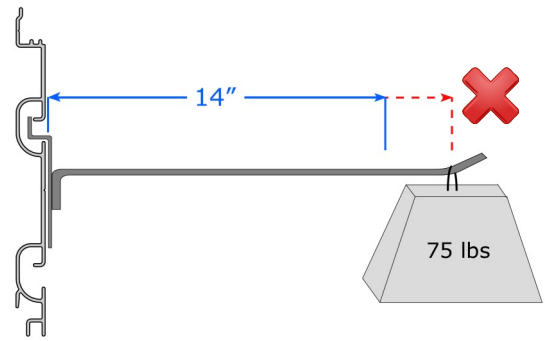
If the load increases to more than 50 lbs, the slatwall could break

On a Mounting Point

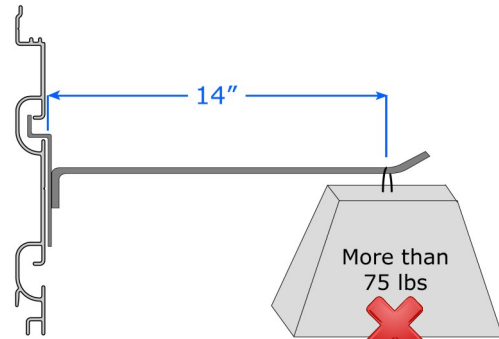


On a mounting point, SlatWall EMX™ can hold a 75 lbs point load hanging at a 14" distance from the slatwall face:

- At maximum loading, adjacent load points within the same groove must be spaced 16" apart minimum



If the 75 lbs load moves further away than 14" from the slatwall face, the slatwall could break



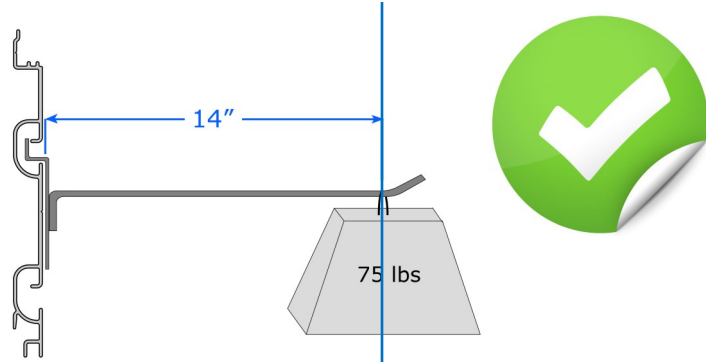
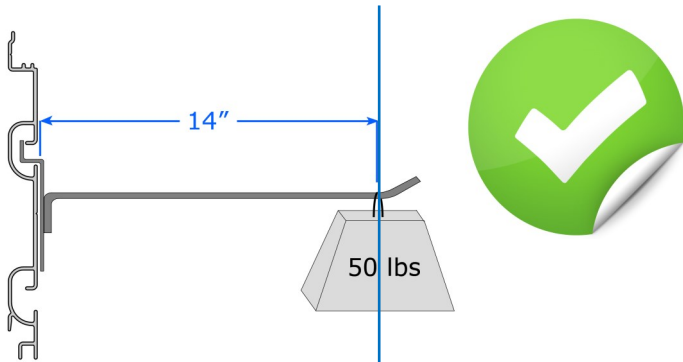
If the load increases to more than 75 lbs, the slatwall could break

Understanding SlatWall EMX™ Load Capacity

In Between Mounting Points



On a Mounting Point

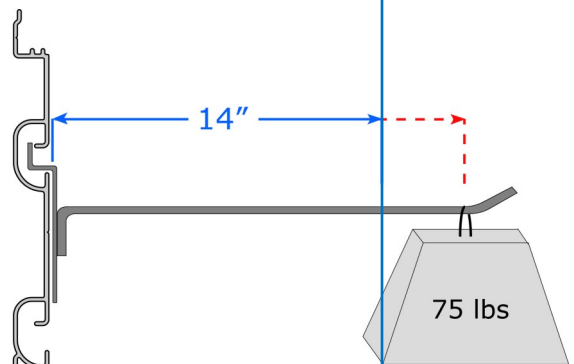
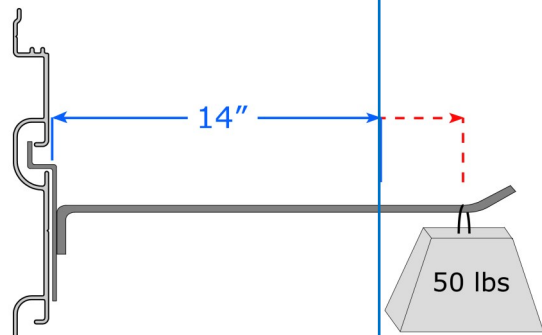


SlatWall EMX™ can hold a 50 lbs point load hanging at a 14" distance from the slatwall face:

SlatWall EMX™ can hold a 75 lbs point load hanging at a 14" distance from the slatwall face:

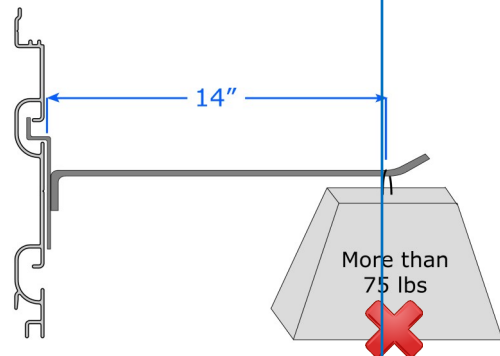
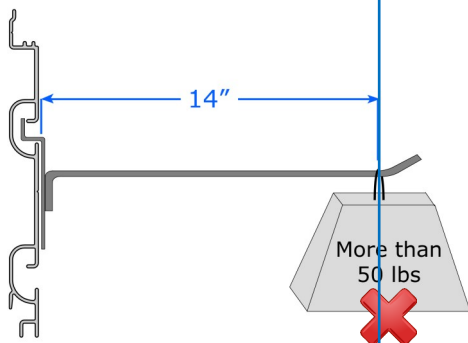
- At maximum loading, adjacent load points within the same groove must be spaced 16" apart minimum

- At maximum loading, adjacent load points within the same groove must be spaced 16" apart minimum



If the 50 lbs load moves further away than 14" from the slatwall face, the slatwall could break

If 75 lbs load moves further away than 14" from the slatwall the lbs

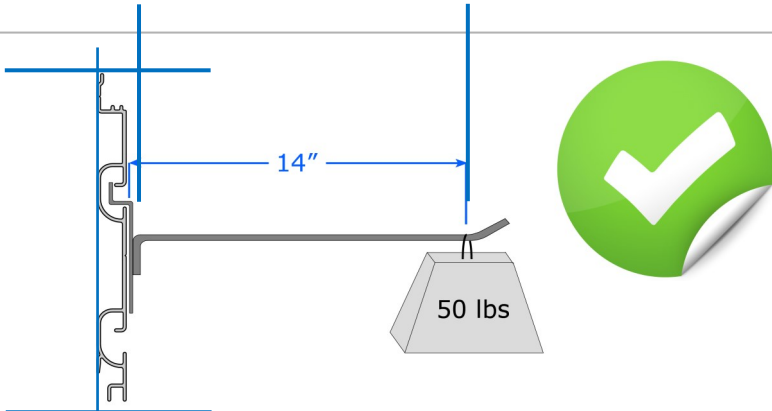


If the load increases to more than 50 lbs, the slatwall could break

If the load increases to more than 75 lbs, the slatwall could break

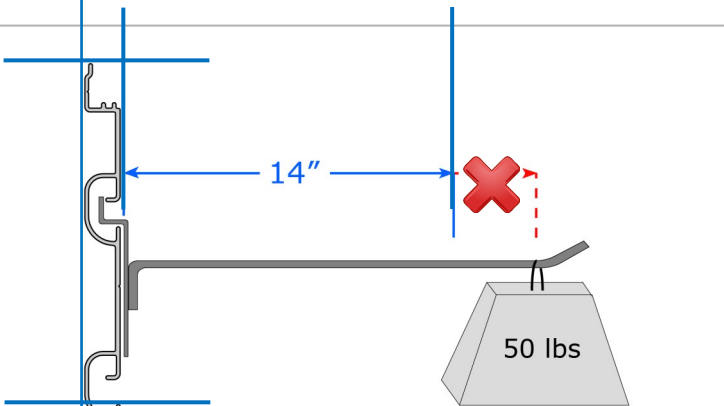
Understanding SlatWall EMX™ Load Capacity

In Between Mounting Points

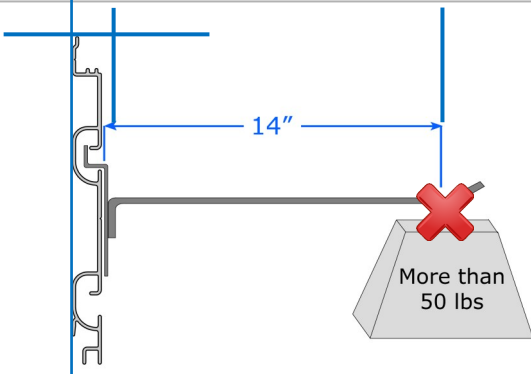


SlatWall PX™ can hold a 25 lbs point load hanging at a 6" distance from the slatwall face:

- At maximum loading, adjacent load points within the same groove must be spaced 16" apart minimum

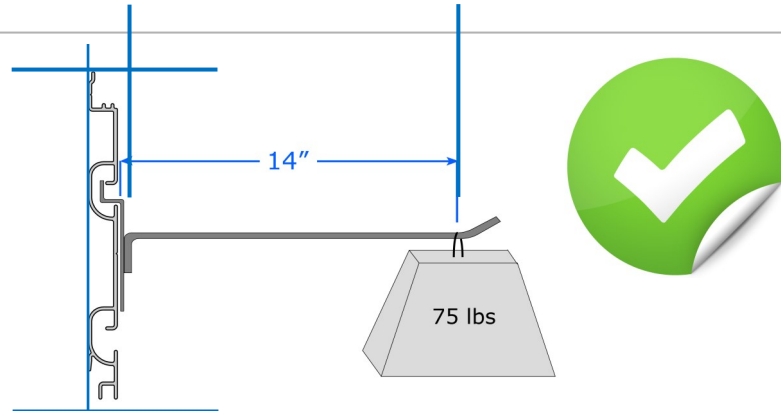


If the 25 lbs load moves further away than 6" from the slatwall face, the slatwall could break

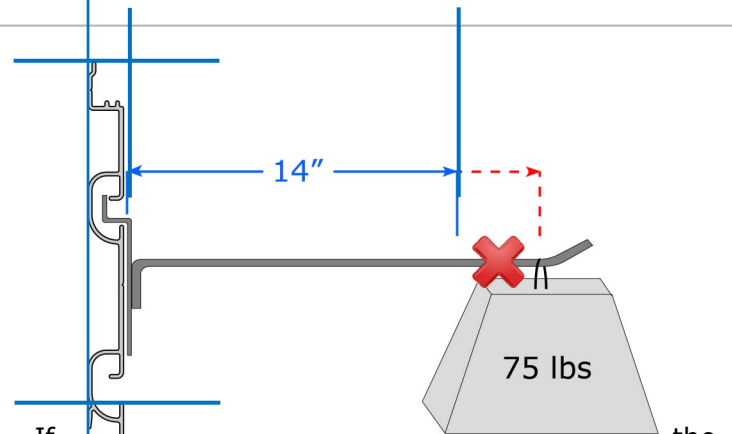


If the load increases to more than 25 lbs, the slatwall could break

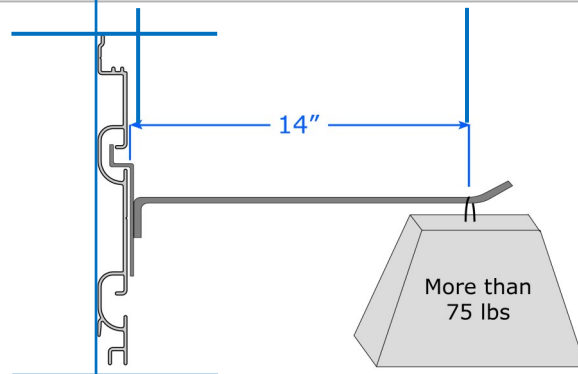
On a Mounting Point



SlatWall PX™ can hold a 75 lbs point load hanging at a 6" distance from the slatwall face:



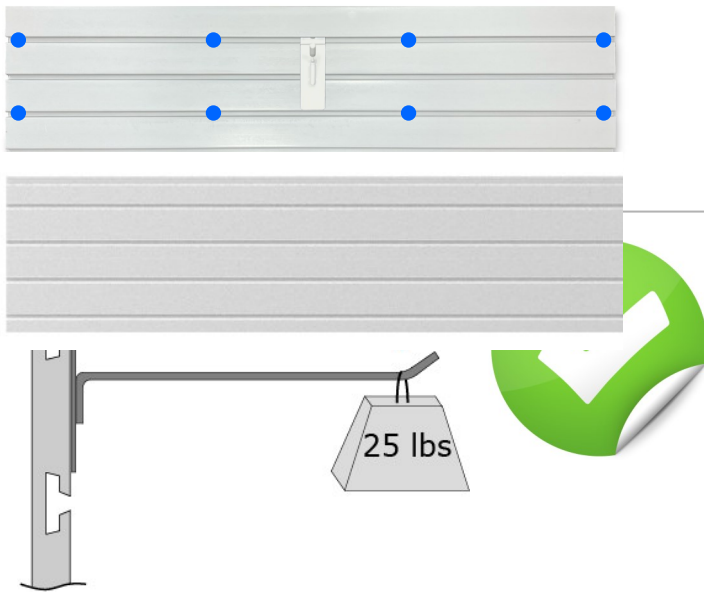
If 75 lbs load moves further away than 6" from the slatwall



If the load increases to more than 75 lbs, the slatwall could break

Understanding SlatWall EMX™ Load Capacity

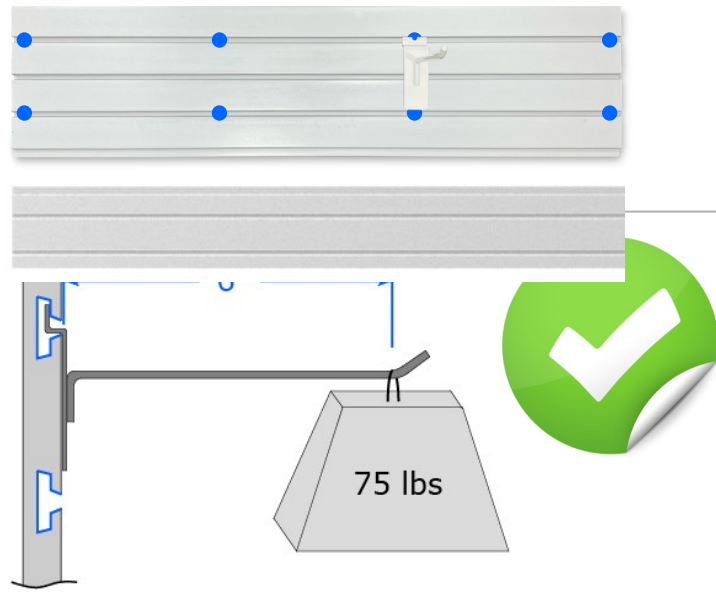
In Between Mounting Points



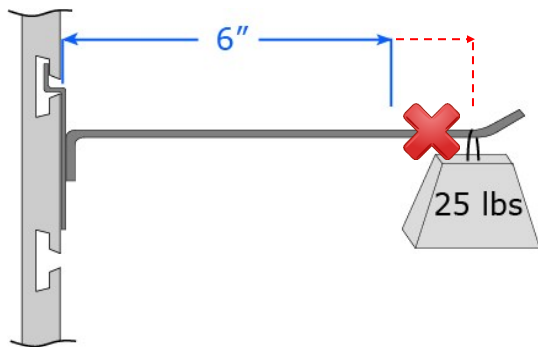
SlatWall PX™ can hold a 25 lbs point load hanging at a 6" distance from the slatwall face:

- *At maximum loading, adjacent load points within the same groove must be spaced 16" apart minimum*

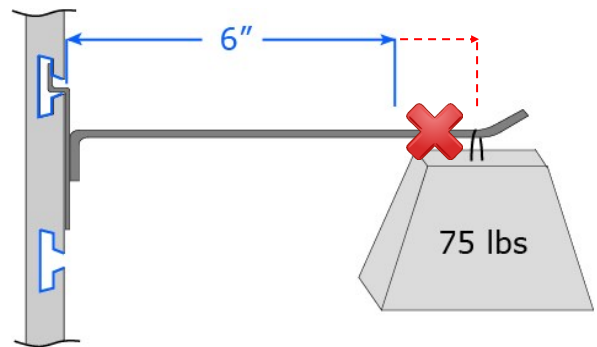
On a Mounting Point



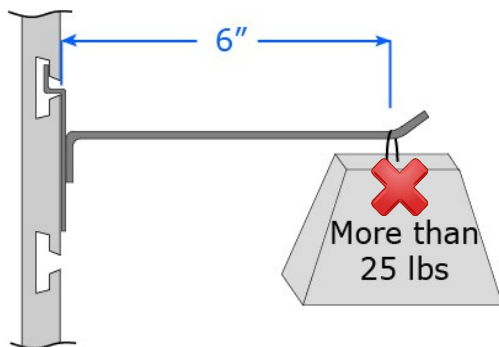
SlatWall PX™ can hold a 75 lbs point load hanging at a 6" distance from the slatwall face:



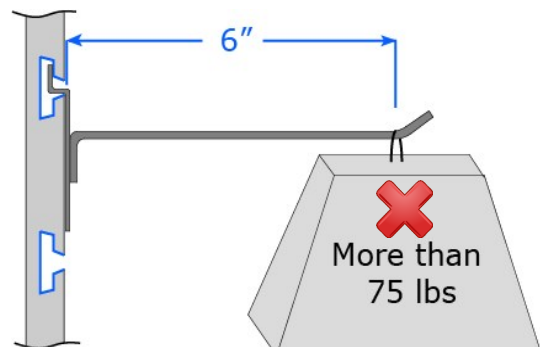
If the 25 lbs load moves further away than 6" from the slatwall face, the slatwall could break



If the 75 lbs load moves further away than 6" from the slatwall face, the slatwall could break



If the load increases to more than 25 lbs, the slatwall could break



If the load increases to more than 75 lbs, the slatwall could break